



---

***PI-108***

**PARTS LIST**

Published in Oct.'02  
5HH70770

NOTE

1.Indicate parts number and machine model when placing an order.

eg.	Parts Number	Parts Name	Machine Model	Cycle	Quantity
	5HH10010	LABEL/I	PI-108	60Hz	1

2.Service calls and freight will be charged separately.

Parts List

***PI-108***

———— CONTENTS ————

FIG.1	PI-108 (1) .....	2
FIG.2	PI-108 (2) .....	4
FIG.3	PI-108 (3) .....	6
FIG.4	PI-108 (4) .....	8
FIG.5	PI-108 (5) .....	10
	• INDEX .....	12

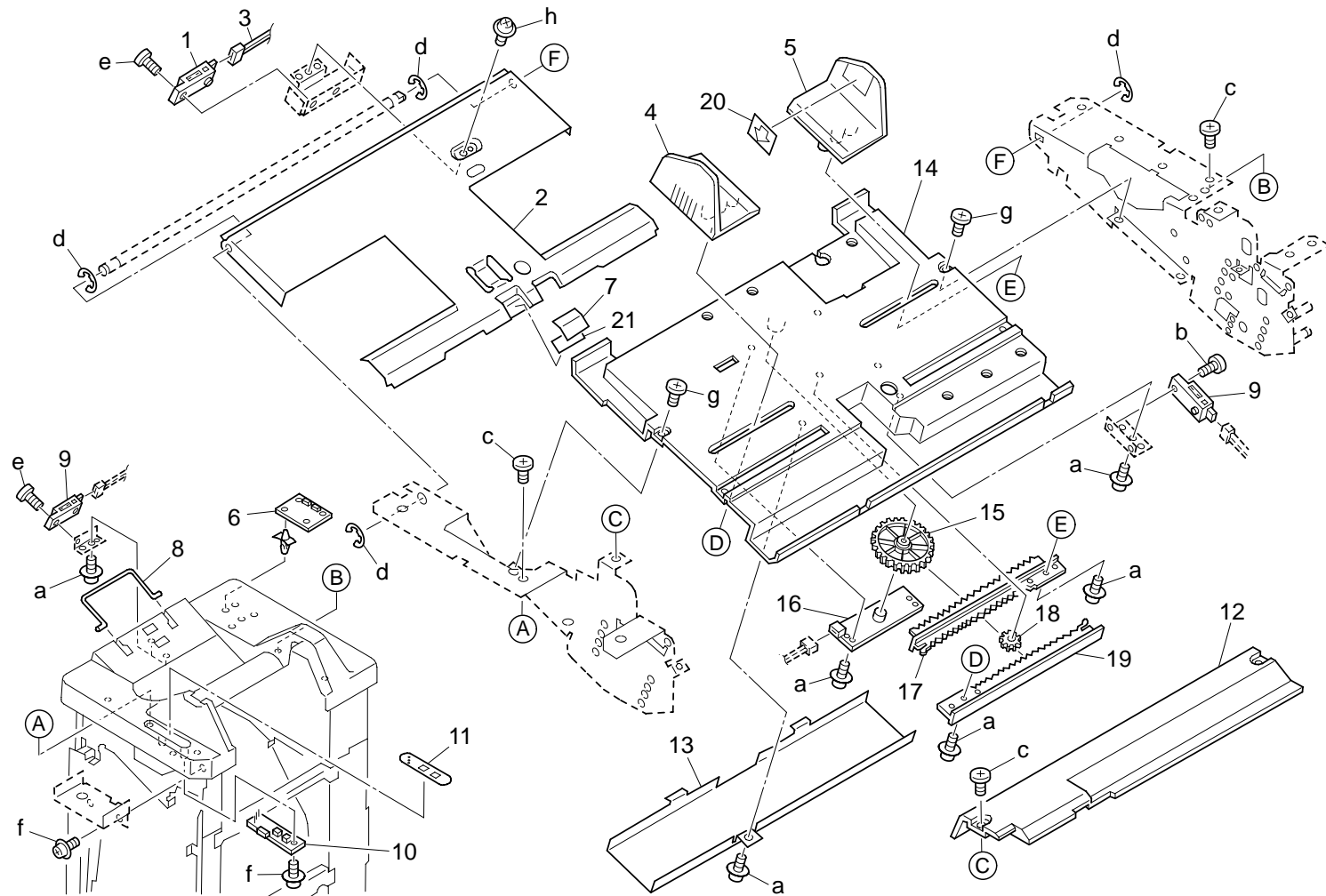


FIG. 1 PI-108 (1)

5HH

Ref.No.	Parts No.	Description	Standard parts
1	5C330600	PHOTO SENSOR	a-5A808380
2	5C610160	PAPER FEED TRAY	b-5BA07430
3	5C610270	FNS WIRING/2	c-5C331390
4	5HH10390	PAPER REGULATING PLATE/FRONT	d-5A808640
5	5HH10040	PAPER REGULATING PLATE/REAR	e-5A809700
6	5C610310	DRIVING BOARD ASSEMBLY	f-5A807450
7	5C610210	DOUBLE FEED PREVENTIVE SHEET/A	g-5A808350
8	5C610230	GUIDE SHAFT	h-5A808370
9	5A815350	PHOTO SENSOR(2)	
10	5C610290	OPERATION BOARD ASEMBLY	
11	5HH10330	OPERATION SHEET	
12	5HH10260	PAPER FEED COVER	
13	5C610170	COVER	
14	5HH10030	PAPER FEED BOARD	
15	5C610370	PINION	
16	5C610300	SIZE DETECTING BOSRD ASSEMBLY	
17	5C319330	LACK	
18	5C610330	PAPER FEED IDLER GEAR/A	
19	5A815330	RACK(Z=45)	
20	5HH10010	LABEL/I	
21	5HH10050	STACKING PART/2	

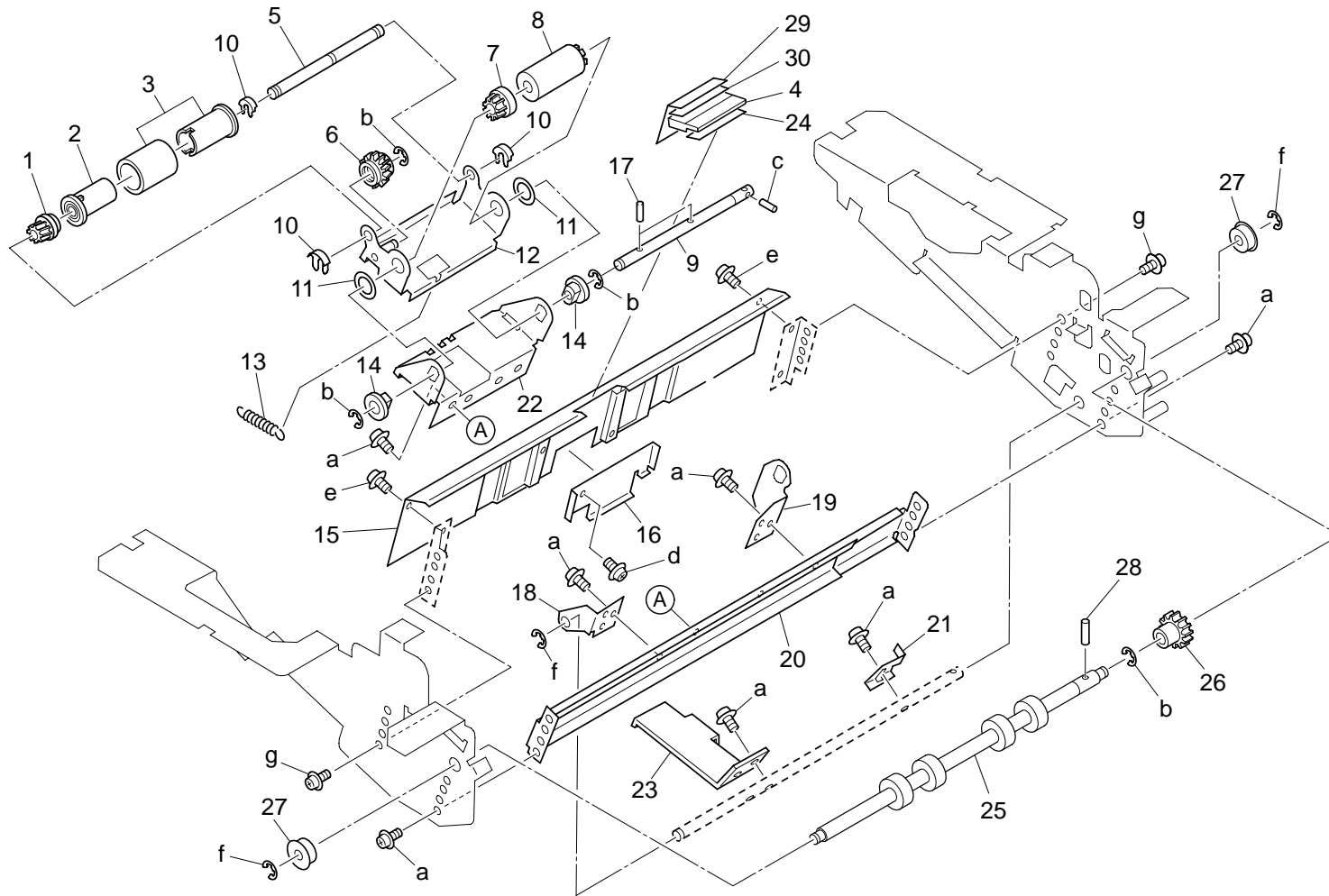


FIG. 2 PI-108 (2)

5HH

Ref.No.	Parts No.	Description	Standard parts
1	5A814700	PAPER FEED REVERSE GEAR(A)(Z=12)	a-5A807450
2	5C331120	REVERSAL ROLLER	b-5A807490
3	5C610200	DOUBLE FEED PREVENTIVE ROLLER	c-5A814730
4	5HH10270	DOUBLE FEED PREVENTING RUBBER	d-5A807440
5	5A814670	SEPARATE OSCILLATE SHAFT(LEFT)	e-5A807460
6	5A814680	LDLER GEAR(A)(Z=20)	f-5A808640
7	5A814690	PAPER FEED REVERSE GEAR(B)(Z=13)	g-5A809690
8	5A821360	TORQUE LIMITTER	
9	5A814630	SEPARATE OSCILLATE SHAFT(RIGHT)	
10	5A814320	STOPPER RING	
11	5A814660	SPACER(18X13)	
12	5C610180	DOUBLE FEED PREVENTIVE UNIT	
13	5C610110	DOUBLE FEED PREVENTIVE SPRING	
14	5A814600	OILLESS METAL	
15	5C610030	PAPER FEED GUID PLATE/A	
16	5C610120	PAPER FEED COVER PLATE	
17	5A811870	PIN (2X8)	
18	5C610090	PAPER LIFT-UP PLATE	
19	5C610100	REVERSAL SIDE PLATE	
20	5C610010	SEPARATE STANDARD PLATE	
21	5C610150	ACTUATOR	
22	5A814610	SEPARATE MT PLATE	
23	5A813970	PAPER LIFT UP PLATE	
24	5HH10290	PROTECT SHEET	
25	5HH10070	CONVEYANCE ROLLER/A	
26	5HH10090	CONVEYANCE GEAR/B	
27	5HH10180	ROLLING SHAFT HOLDER	
28	5A811670	PIN (A) (3X10)	
29	5HH10280	GUIDE SHEET /1	
30	5HH10300	GUIDE SHEET/2	



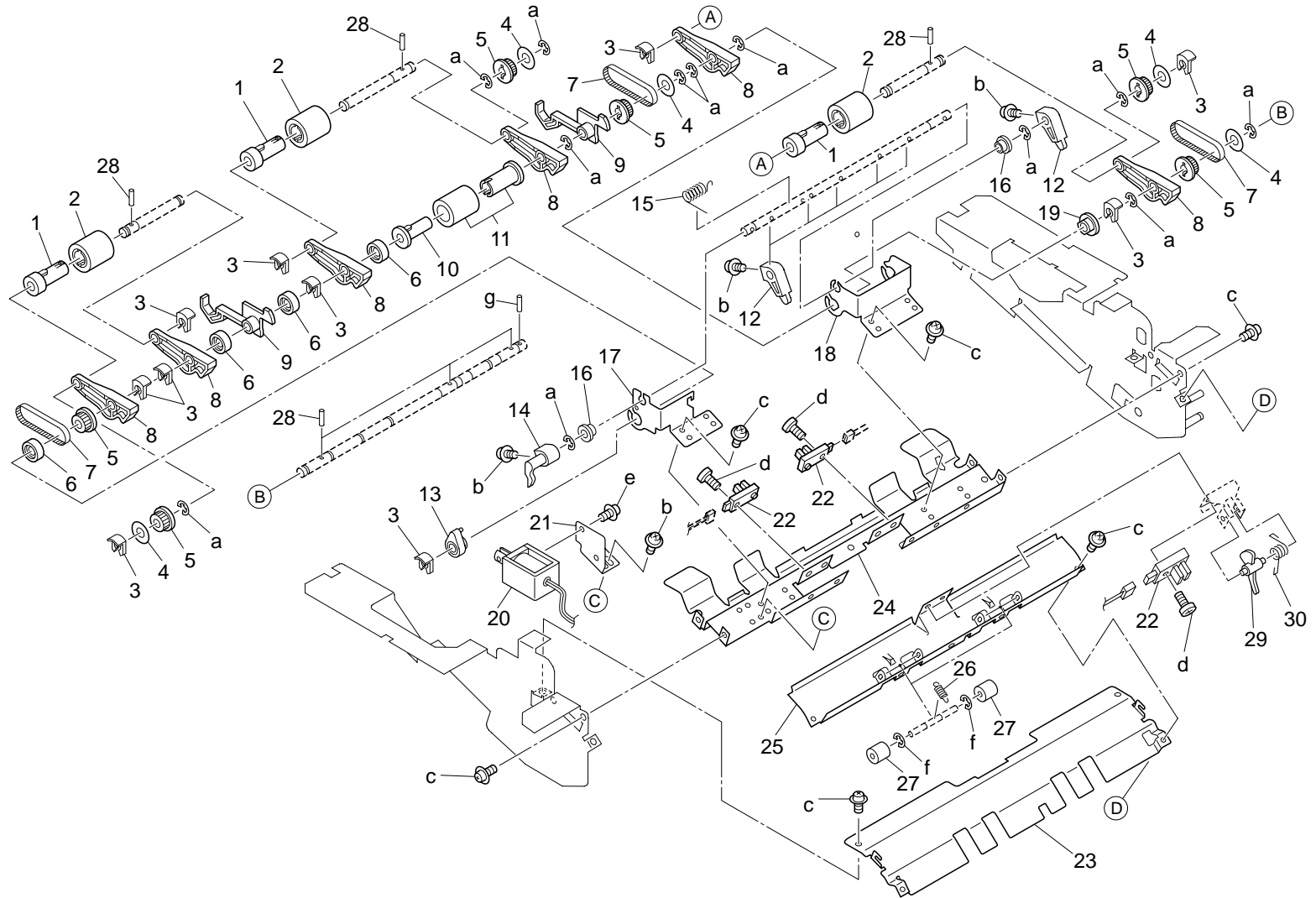


FIG. 3 PI-108 (3)

5HH

Ref.No.	Parts No.	Description	Standard parts
1	5C331110	FEEDING ROLLER/A	a-5A808640
2	5C610350	PAPER FEEDING ROLLER ASSEMBLY/A	b-5A810180
3	5HH10380	SHAFT STOPPER/4	c-5A807450
4	5HH10020	BELT REGULATING PART	d-5A809700
5	5HH10340	PULLEY/1	e-5A807440
6	5HH10190	SPACER/3	f-5A808630
7	5A814420	PAPER FEED DRIVE BELT(L=126)	g-5A821440
8	5HH10250	PAPER FEED ARM	
9	5HH10230	PAPER DETECTING ACTUATOR	
10	5C610340	FEDING ROLLER/B	
11	5C610360	PAPER FEEDING ROLLER ASSEMBLY/B	
12	5HH10140	RELEASE ARM	
13	5A824890	SHAFT FIXED MATERIAL	
14	5HH10150	SOLENOID ARM	
15	5HH10170	RELEASE SPRING/2	
16	5HH10130	RELEASE SHAFT HOLDER	
17	5HH10120	DRIVE POSITIONING PLATE/FRONT	
18	5HH10240	DRIVE POSITIONING PLATE/REAR	
19	5A814270	OILLESS METAL(A)	
20	5HH10310	FNS SOLENOID ASSEMBLY	
21	5HH10160	SOLENOID MOUNTING PLATE/2	
22	5A807760	PHOTO SENSOR	
23	5HH10210	PAPER FEED GUIDE PLATE/B	
24	5HH10200	PAPER FEED FEEDING PLATE	
25	5HH10220	PAPER FEED GUIDE PLATE/C	
26	5HH10110	DRIVEN SPRING	
27	5HH10100	DRIVEN ROLLER	
28	5C330960	PIN (CLEANER A)	
29	5HH10320	PAPER DETECTING ACTUATOR/1	
30	5HC10220	SENSOR PRESSURE SPRING	

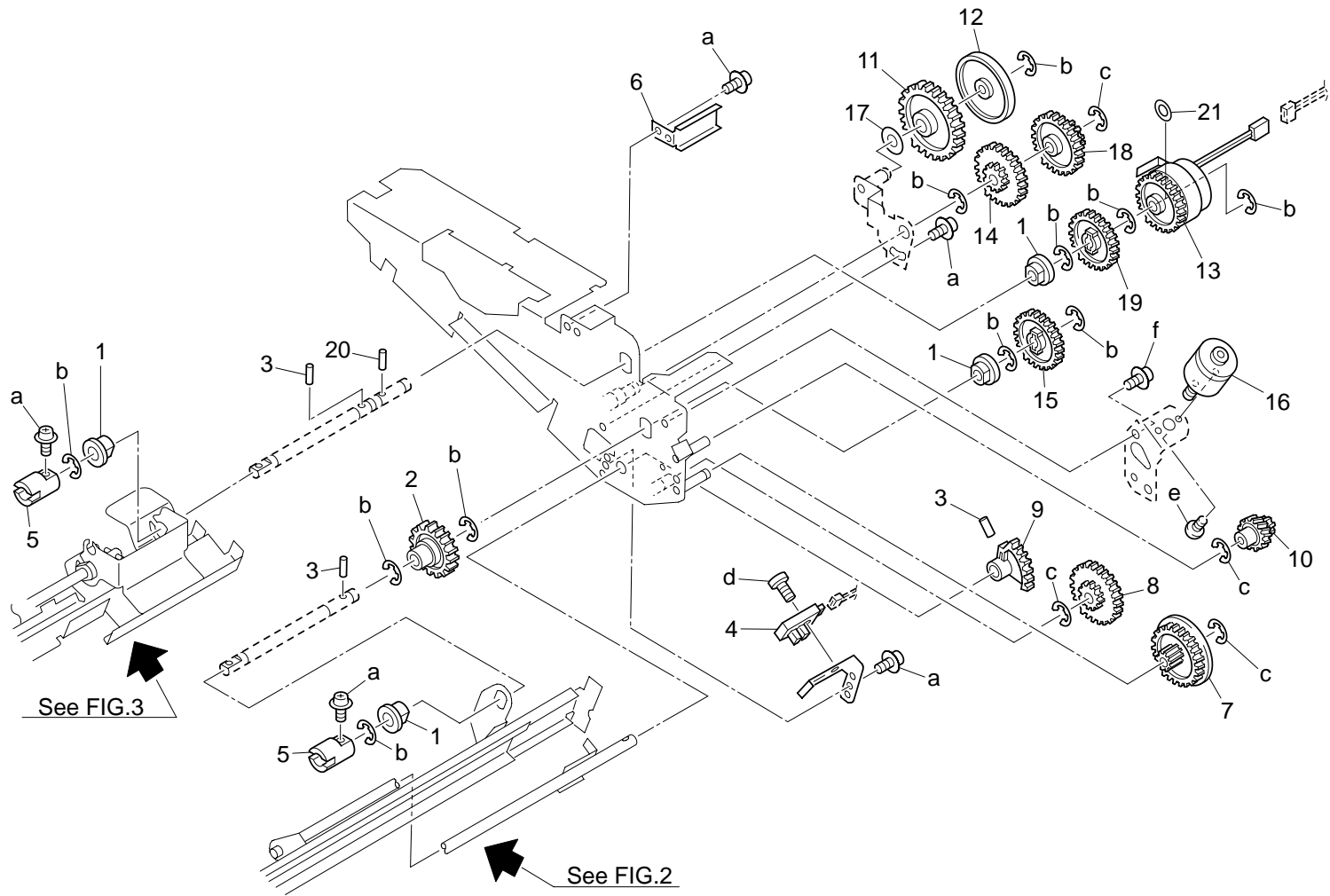


FIG. 4 PI-108 (4)

5HH

Ref.No.	Parts No.	Description	Standard parts
1	5A811470	METAL	a-5A807450
2	5HH10080	CONVEYANCE GEAR/A	b-5A807490
3	5A813790	PIN(A)(3X16)	c-5A808640
4	5A807760	PHOTO SENSOR	d-5C331570
5	5A814480	COUPLING	e-5A912130
6	5C610190	CLUTCH FIXED PLATE	f-5HA50010
7	5A814150	PAPER LIFT UP GEAR(C)(Z=15,70)	
8	5A814130	PAPER LIFT UP GEAR(B)(Z=63,14)	
9	5A814180	PAPER LIFT UP GEAR(A)(Z=12)	
10	5A814120	PAPER LIFT UP GEAR(D)(Z=40,15)	
11	5C610250	DRIVING GEAR/1(Z=50)	
12	5C610070	PRESSURE ROLLER	
13	5C610320	PAPER FEED CLUTCH	
14	5A813900	DOUBLE STEPPED GEAR(Z=34,17)	
15	5A813890	PAPER FEED REVERSE GEAR(Z=33)	
16	5C610240	PAPER FEED MOTOR ASSEMBLY	
17	5A812990	COLLAR	
18	5HH10370	CLEANER CLUTCH GEAR	
19	5HH10350	PAPER FEED DRIVING GEAR	
20	5HH10360	PARALLEL PIN	
21	5HH10060	SPACER	

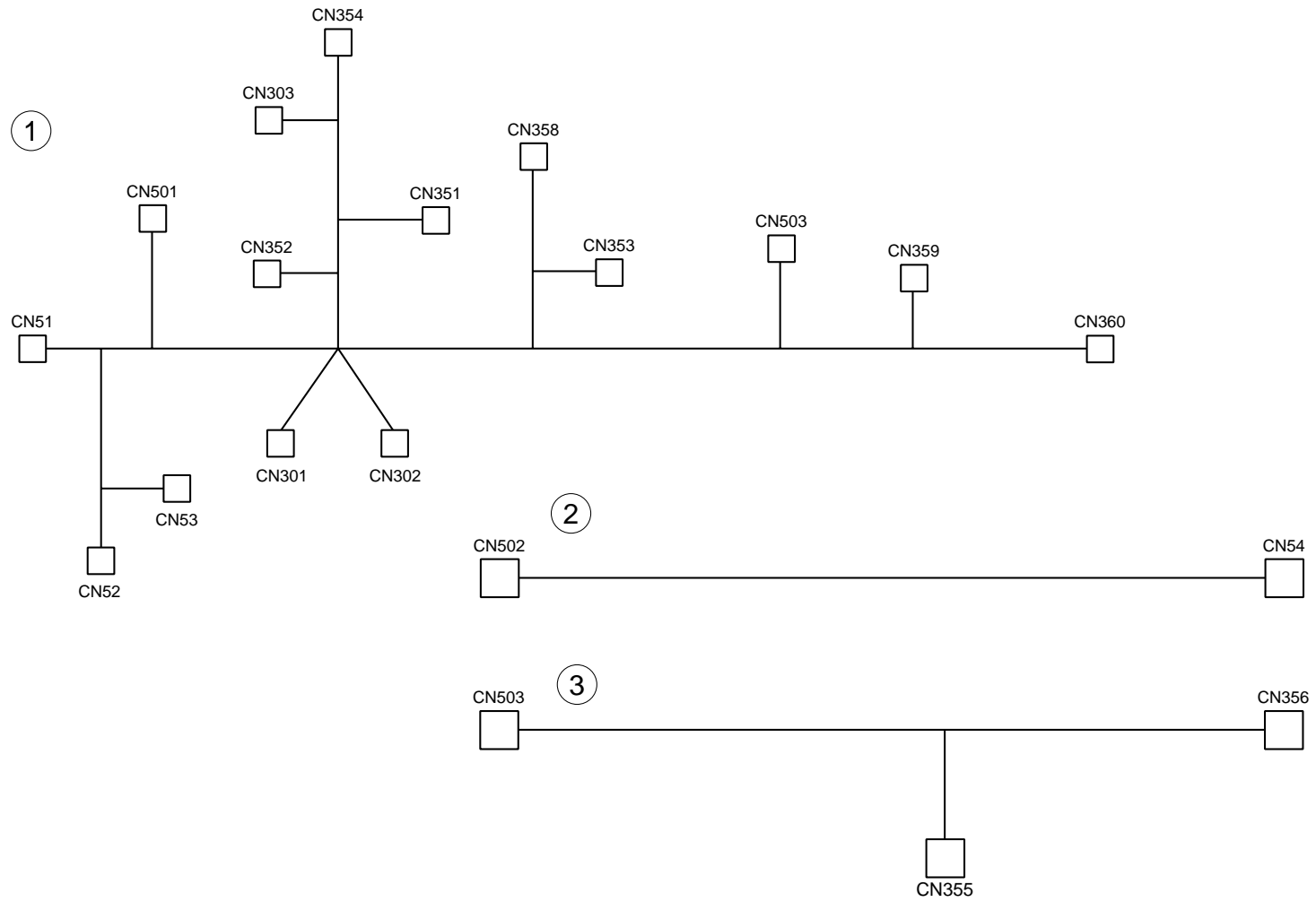


FIG. 5 PI-108 (5)

5HH

Ref.No.	Parts No.	Description	Standard parts
1	5C610260	FNS WIRING/1	
2	5C610270	FNS WIRING/2	
3	5C610280	FNS WIRING/4	

INDEX

5HH

Parts No.	Description	Fig. No.
5A807760	PHOTO SENSOR	3,4
5A811470	METAL	4
5A811670	PIN (A) (3X10)	2
5A811870	PIN (2X8)	2
5A812990	COLLAR	4
5A813790	PIN(A)(3X16)	4
5A813890	PAPER FEED REVERSE GEAR(Z=33)	4
5A813900	DOUBLE STEPPED GEAR(Z=34,17)	4
5A813970	PAPER LIFT UP PLATE	2
5A814120	PAPER LIFT UP GEAR(D)(Z=40,15)	4
5A814130	PAPER LIFT UP GEAR(B)(Z=63,14)	4
5A814150	PAPER LIFT UP GEAR(C)(Z=15,70)	4
5A814180	PAPER LIFT UP GEAR(A)(Z=12)	4
5A814270	OILLESS METAL(A)	3
5A814320	STOPPER RING	2
5A814420	PAPER FEED DRIVE BELT(L=126)	3
5A814480	COUPLING	4
5A814600	OILLESS METAL	2
5A814610	SEPARATE MT PLATE	2
5A814630	SEPARATE OSCILLATE SHAFT(RIGHT)	2
5A814660	SPACER(18X13)	2
5A814670	SEPARATE OSCILLATE SHAFT(LEFT)	2
5A814680	LDLER GEAR(A)(Z=20)	2
5A814690	PAPER FEED REVERSE GEAR(B)(Z=13)	2
5A814700	PAPER FEED REVERSE GEAR(A)(Z=12)	2
5A815330	RACK(Z=45)	1
5A815350	PHOTO SENSOR(2)	1
5A821360	TORQUE LIMITTER	2
5A824890	SHAFT FIXED MATERIAL	3
5C319330	LACK	1
5C330600	PHOTO SENSOR	1
5C330960	PIN (CLEANER A)	3
5C331110	FEEDING ROLLER/A	3
5C331120	REVERSAL ROLLER	2
5C610010	SEPARATE STANDARD PLATE	2
5C610030	PAPER FEED GUID PLATE/A	2
5C610070	PRESSURE ROLLER	4
5C610090	PAPER LIFT-UP PLATE	2
5C610100	REVERSAL SIDE PLATE	2
5C610110	DOUBLE FEED PREVENTIVE SPRING	2

Parts No.	Description	Fig. No.
5C610120	PAPER FEED COVER PLATE	2
5C610150	ACTUATOR	2
5C610160	PAPER FEED TRAY	1
5C610170	COVER	1
5C610180	DOUBLE FEED PREVENTIVE UNIT	2
5C610190	CLUTCH FIXED PLATE	4
5C610200	DOUBLE FEED PREVENTIVE ROLLER	2
5C610210	DOUBLE FEED PREVENTIVE SHEET/A	1
5C610230	GUIDE SHAFT	1
5C610240	PAPER FEED MOTOR ASSEMBLY	4
5C610250	DRIVING GEAR/1(Z=50)	4
5C610260	FNS WIRING/1	5
5C610270	FNS WIRING/2	1,5
5C610280	FNS WIRING/4	5
5C610290	OPERATION BOARD ASEMBLY	1
5C610300	SIZE DETECTING BOSRD ASSEMBLY	1
5C610310	DRIVING BOARD ASSEMBLY	1
5C610320	PAPER FEED CLUTCH	4
5C610330	PAPER FEED IDLER GEAR/A	1
5C610340	FEDING ROLLER/B	3
5C610350	PAPER FEEDING ROLLER ASSEMBLY/A	3
5C610360	PAPER FEEDING ROLLER ASSEMBLY/B	3
5C610370	PINION	1
5HC10220	SENSOR PRESSURE SPRING	3
5HH10010	LABEL/1	1
5HH10020	BELT REGULATING PART	3
5HH10030	PAPER FEED BOARD	1
5HH10040	PAPER REGURATING PLATE/REAR	1
5HH10050	STACKING PART/2	1
5HH10060	SPACER	4
5HH10070	CONVEYANCE ROLLER/A	2
5HH10080	CONVEYANCE GEAR/A	4
5HH10090	CONVEYANCE GEAR/B	2
5HH10100	DRIVEN ROLLER	3
5HH10110	DRIVEN SPRING	3
5HH10120	DRIVE POSITIONING PLATE/FRONT	3
5HH10130	RELEASE SHAFT HOLDER	3
5HH10140	RELEASE ARM	3
5HH10150	SOLENOID ARM	3
5HH10160	SOLENOID MOUNTING PLATE/2	3

Parts No.	Description	Fig. No.
5HH10170	RELEASE SPRING/2	3
5HH10180	ROLLING SHAFT HOLDER	2
5HH10190	SPACER/3	3
5HH10200	PAPER FEED FEEDING PLATE	3
5HH10210	PAPER FEED GUIDE PLATE/B	3
5HH10220	PAPER FEED GUIDE PLATE/C	3
5HH10230	PAPER DETECTING ACTUATOR	3
5HH10240	DRIVE POSITIONING PLATE/REAR	3
5HH10250	PAPER FEED ARM	3
5HH10260	PAPER FEED COVER	1
5HH10270	DOUBLE FEED PREVENTING RUBBER	2
5HH10280	GUIDE SHEET /1	2
5HH10290	PROTECT SHEET	2
5HH10300	GUIDE SHEET/2	2
5HH10310	FNS SOLENOID ASSEMBLY	3
5HH10320	PAPER DETECTING ACTUATOR/1	3
5HH10330	OPERATION SHEET	1
5HH10340	PULLEY/1	3
5HH10350	PAPER FEED DRIVING GEAR	4
5HH10360	PARALLEL PIN	4
5HH10370	CLEANER CLUTCH GEAR	4
5HH10380	SHAFT STOPPER/4	3
5HH10390	PAPER REGULATING PLATE/FRONT	1





## **KYOCERA MITA AMERICA, INC.**

### **Headquarters:**

225 Sand Road, P.O. Box 40008  
Fairfield, New Jersey 07004-0008  
TEL : (973) 808-8444  
FAX : (973) 882-6000

### **New York Show Room:**

1410 Broadway 23rd floor  
New York, NY 10018  
TEL : (917) 286-5400  
FAX : (917) 286-5402

### **Northeastern Region:**

225 Sand Road, P.O. Box 40008  
Fairfield, New Jersey 07004-0008  
TEL : (973) 808-8444  
FAX : (973) 882-4401

### **Midwestern Region:**

201 Hansen Court Suite 119  
Wood Dale, Illinois 60191  
TEL : (630) 238-9982  
FAX : (630) 238-9487

### **Western Region:**

14101 Alton Parkway,  
Irvine, California 92618-7006  
TEL : (949) 457-9000  
FAX : (949) 457-9119

### **Southeastern Region:**

1500 Oakbrook Drive,  
Norcross, Georgia 30093  
TEL : (770) 729-9786  
FAX : (770) 729-9873

### **Southwestern Region:**

2825 West Story Road,  
Irving, Texas 75038-5299  
TEL : (972) 550-8987  
FAX : (972) 570-4704

### **Dallas Parts Distribution Center & National Training Center:**

2825 West Story Road,  
Irving, Texas 75038-5299  
TEL : (972) 659-0055  
FAX : (972) 570-5816

## **KYOCERA MITA CANADA, LTD.**

6120 Kestrel Road, Mississauga,  
Ontario L5T 1S8, Canada  
TEL : (905) 670-4425  
FAX : (905) 670-8116

## **KYOCERA MITA MEXICO, S.A. DE C.V.**

Av. 16 de Septiembre #407  
Col. Santa Inés,  
02130 Azcapotzalco  
México, D.F. México  
TEL : (55) 383-2741  
FAX : (55) 383-7804

© 2002 KYOCERA MITA CORPORATION

 **KYOCERA** is a trademark of Kyocera Corporation

**mita** is a registered trademark of KYOCERA MITA CORPORATION

Printed in U.S.A.